



Part number  
**CHIS 16**



**Brief description:**

bulkhead mounting housings with 2 levers, size "77.27", EMC version, IP66

Product description	
Version	EMC version
Series	bulkhead mounting housings with 2 levers
Product type	with 2 levers
Family	CLASS enclosures
Size	size "77.27"
Technical data	
Material	metal
IP degree of protection	IP66 (and IP69K DIN 40050 - 9)
Further technical details	
Weight	176,00 g

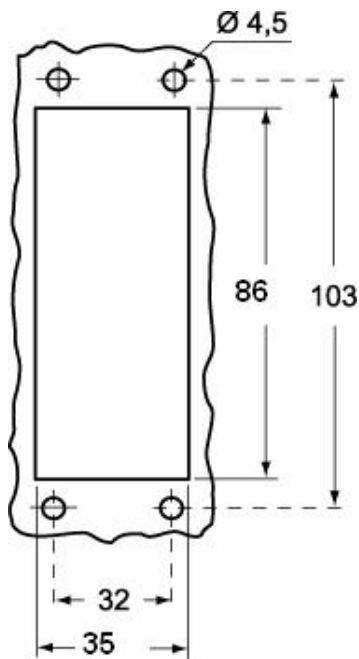
Approvals / Standards	
Quality mark	 (type:4/4X/12),  , EAC
Conformity	CQC, CE
General ordering information	
EAN13 code	8015747138185
Tariff number	85369095
Packaging Information	
Packaging length	360,00 mm
Packaging height	170,00 mm
Packaging width	305,00 mm
Packaging weight	7,04 kg
Packaging volume	18,67 dm <sup>3</sup>
Packaging description	Carton box
Packaging quantity	40 Pcs
Packaging EAN code	8015747138529
Sub-packaging weight	0,88 kg
Sub-packaging description	Plastic pakaging
Sub-packaging quantity	5 Pcs
Sub-packaging EAN barcode	8015747138536

Part number

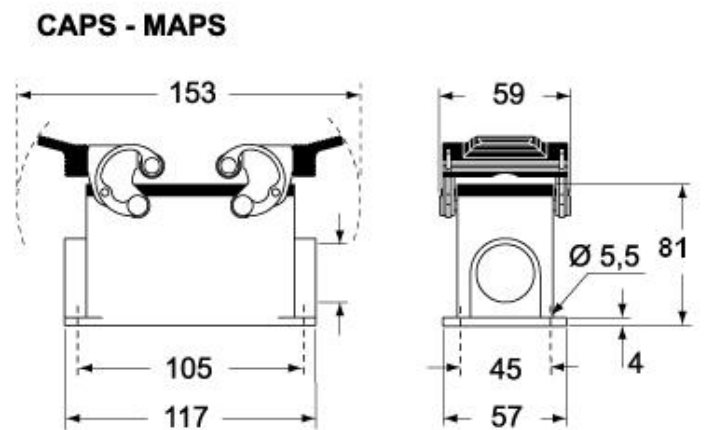
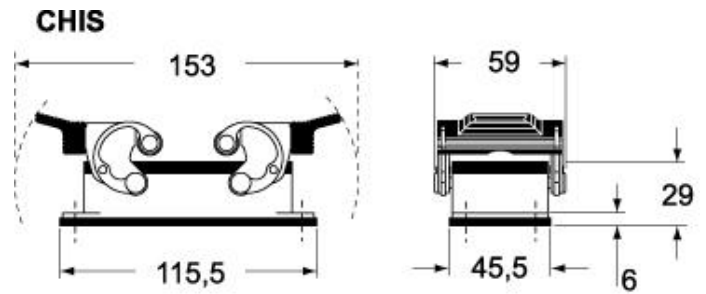
# CHIS 16



Catalogue drawings



Catalogue drawings



CHCS

